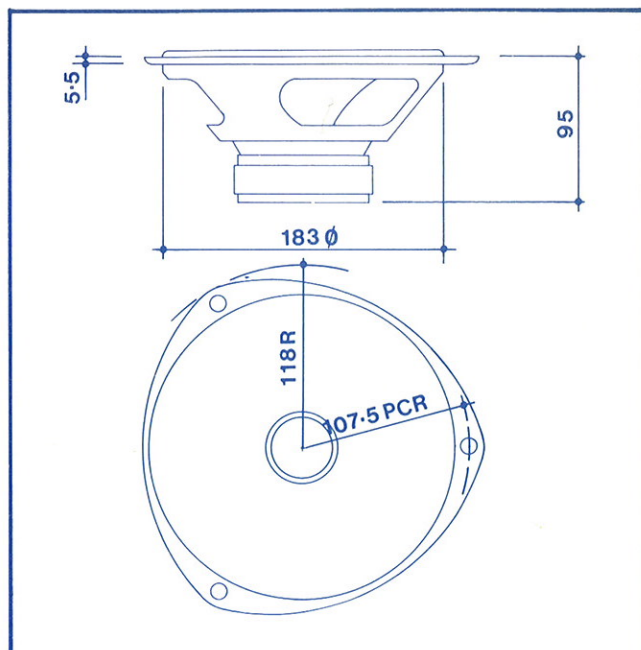


# KEF DATA SHEET

## B200·G

### Specification Number SP1075

Low/mid range unit with visco-elastic damped Bextrene diaphragm and high temperature coil assembly, suitable for use where low distortion and high power handling are required.



**Net weight:** 1.35 kg

**Nominal impedance:** 5 ohms

**Nominal frequency range:** 25-3,500 Hz

**Typical enclosure volumes:** Totally enclosed box  
20-25 litres

**Power handling:**

Continuous sine wave 28 V RMS (see note 1)

Programme 150 W (see note 2)

**Magnet:**

Flux density 1.1 T (11,000 gauss)

Total flux  $7.15 \times 10^{-4}$  Wb (71,500 Maxwells)

**Voice coil:**

Diameter 32.6 mm

Inductance

Max continuous service temperature (30 min) 250°C

Max intermittent temperature (5 sec) 340°C

Nominal DC Resistance,  $R_{DC}$  4.7 ohms (tolerance  $\pm 5\%$ )

Minimum impedance (in nominal frequency range)  
5.3 ohms at 160 Hz

**Diaphragm:**

Effective area,  $S_D$  246 cm<sup>2</sup>

Effective moving mass,  $M_D$  24.3 g

Max linear excursion,  $X_D$  6 mm peak-peak

Max damage limited excursion 20 mm peak-peak

**Free air resonance frequency,  $f_s$ :**

Nominal 27 Hz

**Total mechanical resistance of suspension,  $R_{MS}$ :**

1.38 mech ohms

**Suspension compliance,  $C_{MS}$ :**  $1.4 \times 10^{-3}$  m/N

**Force factor,  $Bl$ :** 6.82 N/A

**Damping:**

Mechanical  $Q_M$ : 3.03

Electrical  $Q_E$ : 0.42

Total  $Q_T$ : 0.37 (see note 3)

**Notes**

1 Continuous Power Rating ( $P_C$ ).

$$P_C = \frac{V^2}{R}$$

V is the RMS voltage which can be applied to the unit continuously without thermal overload of the voice coil. At low frequencies the continuous power rating of the speaker may be reduced because of limitations imposed on diaphragm excursion by the acoustic loading.

2 The programme rating of a unit is equal to the maximum programme rating of any system with which the unit may be safely used in conjunction with the recommended dividing network and enclosure.

The programme rating of any system is the undistorted power output of an amplifier with which the system may be satisfactorily operated on normal programme over an extended period of time.

$$3 \quad Q_M = \frac{2\pi f_s M_D}{R_{MS}} \quad Q_E = \frac{2\pi f_s M_D}{(Bl)^2/R_{DC}} \quad \frac{1}{Q_T} = \frac{1}{Q_M} + \frac{1}{Q_E}$$

KEF Electronics Limited Tovil Maidstone ME15 6QP England ☎ 0622 672261

KEF reserve the right to incorporate developments and amend the specification without prior notice, in line with continuous research and product improvement.

PL348 EN01