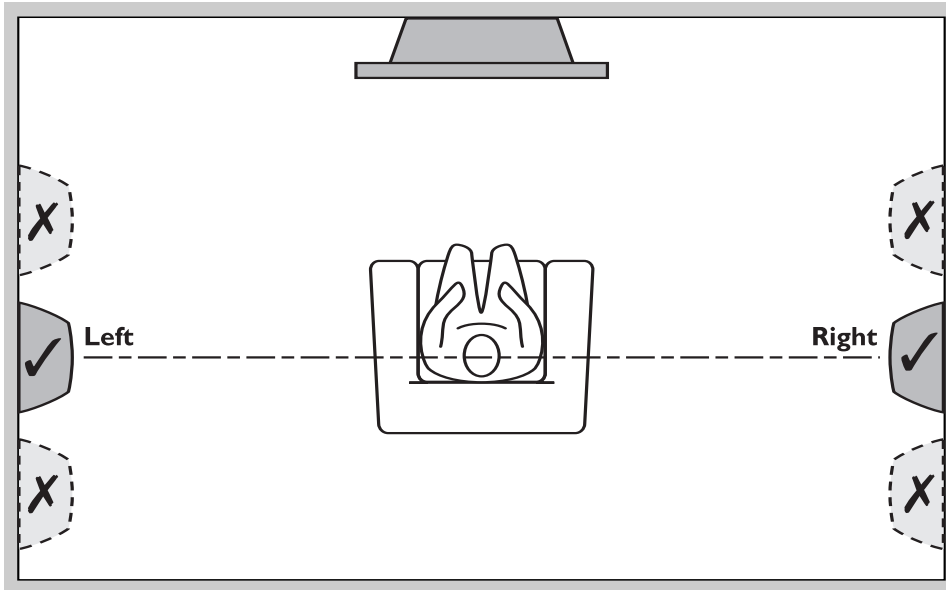
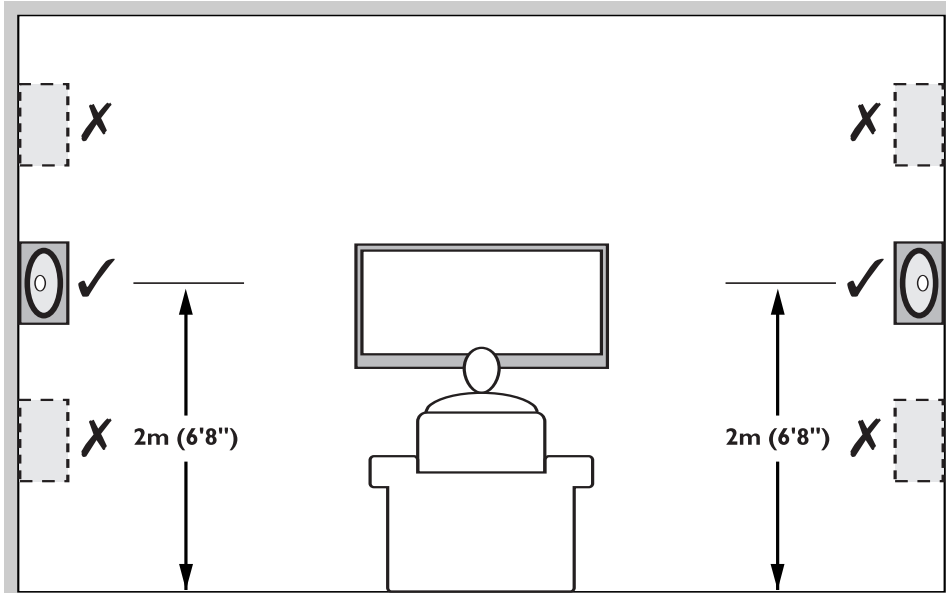


(GB) Positioning
(F) Positionnement
(D) Aufstellung

(I) Posizionamento
(ES) Posicionamiento
(P) Posicionamento

(NL) Plaats en aansluiting
(DK) Placering

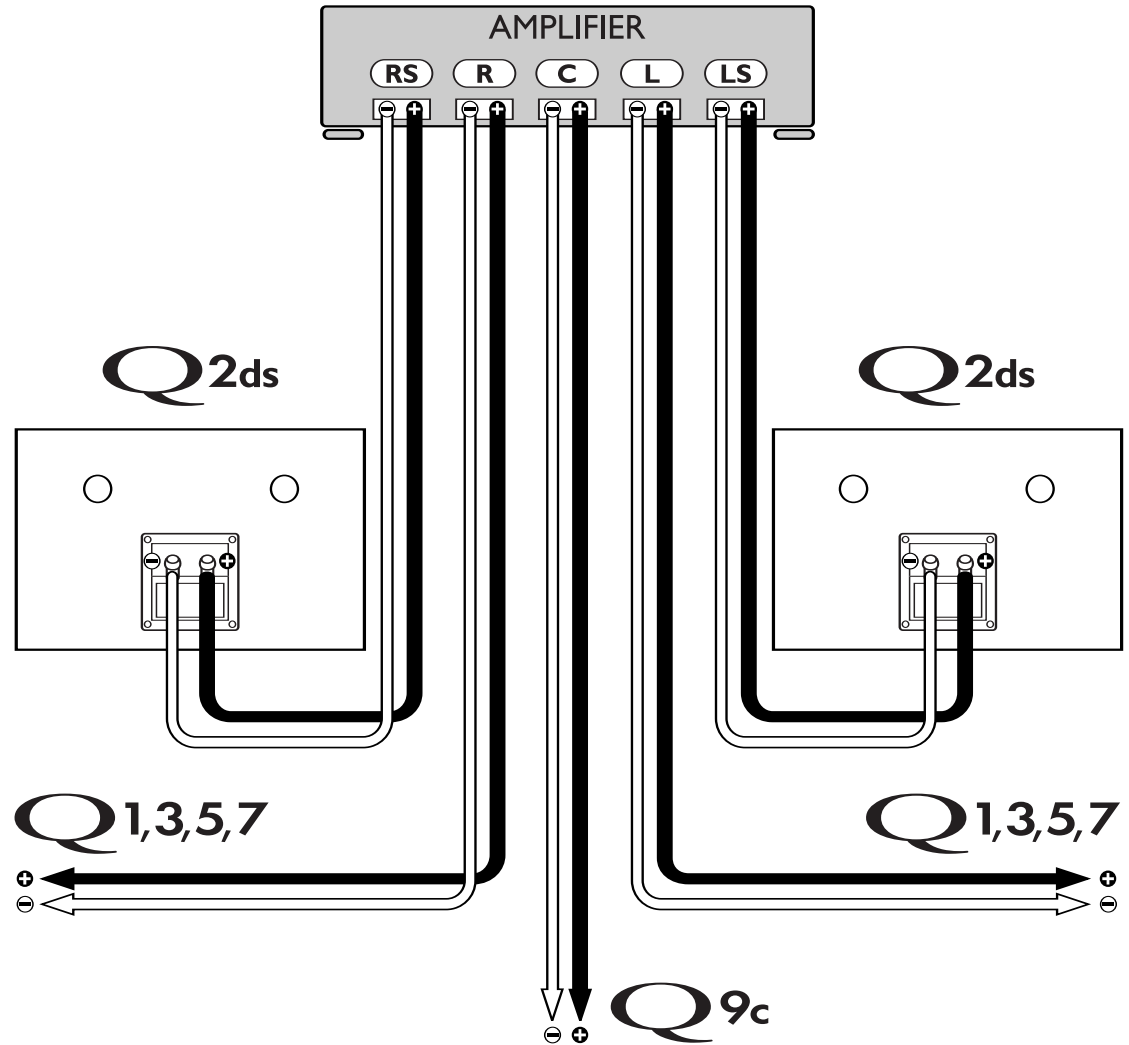


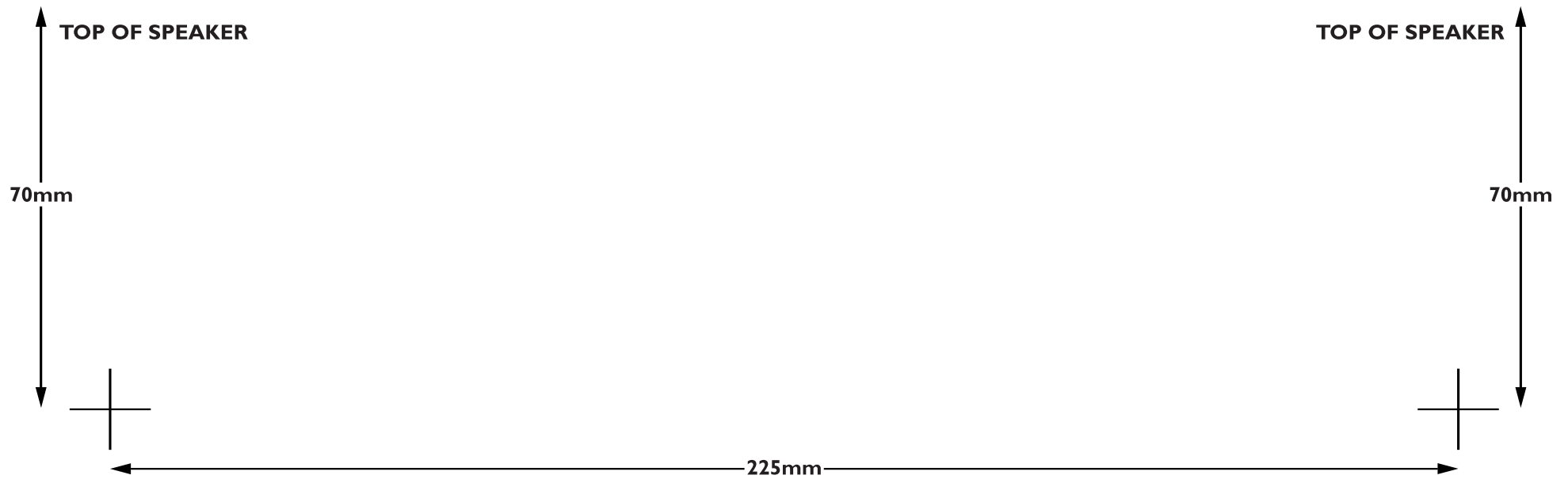
2

(GB) Connections
(F) Connexions
(D) Anschlüsse

(I) Collegamenti
(ES) Conexiones
(P) Ligações

(NL) Aansluitingen
(DK) Forbindelser





3

(GB) Specifications
(F) Spécifications
(D) Technische Merkmale

(I) Specifiche
(ES) Especificaciones
(P) Especificações

(NL) Technische gegevens
(DK) Specifikationer

| | |
|------------------------------|--|
| Design | Three way Dipole surround |
| Drive Units | 2 x 165 mm (6 1/2") Uni-Q® 1 x 130mm (5 1/4") LF |
| Frequency response at ± 3 dB | 80 - 27 kHz |
| Crossover frequency | 220 Hz - 3 kHz |
| Amplifier requirements | 15 - 120W |
| Sensitivity (2.83V/1m) | 91 dB |
| Maximum output | 111 dB |
| Impedance | 8 Ω |
| Magnetic shielding | No |
| Weight | 7.7 kg (16.9 lbs) |
| Dimensions | 220 x 442 x 210 mm (8.7 x 17.4 x 8.3 inches) |
| Finishes | Black Ash, Maple or Dark Apple |

